

**General**

Provide MYSON COC CLASSIC COMFORT hydronic towel warmer including accessories as scheduled. COC Classic Comfort towel warmers, available in 4 sizes, are made of cold rolled steel tube and fittings in a variety of finishes. The COC hydronic towel warmer is approved for installation on closed loop hydronic hot water systems only.

Each COC towel warmer is constructed with 1-1/2" "D" shaped vertical and 1" diameter convex horizontal bars. An adjustable four point mounting kit in a matching finish is included. The towel warmers are equipped with a blind plug and manual air vent. Every unit is factory filled, tested and inspected to insure the finest quality product.

**Standard Connections:**

4 x internal thread G 1/2" BSP

**Weight:**

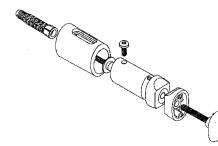
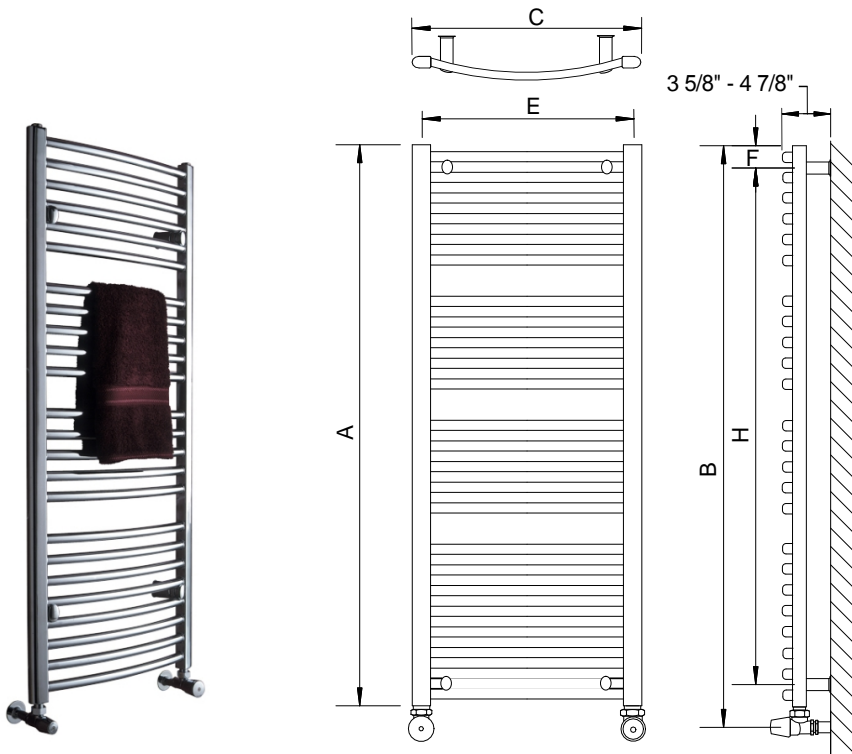
(see below)

**Available Finishes:**

Polished Chrome, Polished Nickel, Satin Nickel, Regal Brass, White

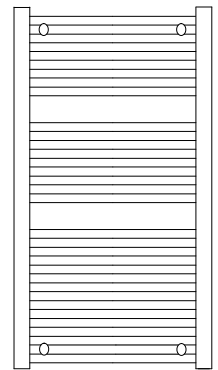
**Maximum positive operating pressure: 77 psi**

**Maximum operating temperature: 230° F**



**COC Mounting Bracket Detail**

**NOTE:**  
Dimensions "F" and "H" may vary depending on the positioning of the mounting brackets.



**COS85,86 Configuration**

MODEL	Dim "A"	Dim "B"	Dim "C"	Dim "E"	Dim "F"	Dim "H"	BTUH*	Wgt.(lbs)
COC85	33 15/16"	35 9/16"	19 11/16"	17 15/16"	3 11/16"	26 9/16"	1302	39
COC86	33 15/16"	35 9/16"	23 5/8"	21 7/8"	3 11/16"	26 9/16"	1525	45
COC125	48 1/8"	49 3/4"	19 11/16"	17 15/16"	7 1/4"	33 11/16"	1804	59
COC126	48 1/8"	49 3/4"	23 5/8"	21 7/8"	7 1/4"	33 11/16"	2120	68

\*AWT = 155 Degrees Fahrenheit



**Standard Valve Set - STDVKIT**  
The set includes one (1) FF16WAC adjustable and (1) FF16LAC non-adjustable 1/2" valve. Available only with chrome angle body and white handles



**Modern Valve Set - V16A**  
"Angle" or V16S "Straight" pattern. Straight valves are normally used when the pipes come from the floor instead of the wall. Available in matching finishes.



**Cross Handle Valve Set - CHV16**  
The set includes two (2) Cross Handle valves. The Cross Handle valves are only available in an angle pattern and are available in matching finishes.



**Sleeve Kit - SK16** The set includes two (2) .656" I.D. x 3" brass sleeves and two (2) 2" diameter brass escutcheons. Available in matching finishes.

Optional valves and sleeve kits are recommended and available from MYSON.



**Warranty:**  
MYSON European Tradition Towel Warmers are covered by a 10 year warranty.

**Quality certificates**



PROJECT NAME:  
ARCHITECT:  
ENGINEER:  
SUBMITTED DATE:

APPROVED DATE:



MAR2016